

bozen

• PURE DESIGN •

# The bozen Collection

• PURE DESIGN •

EVO



VENTED HOB

RAPTOR



VENTED HOB

IZAR



DOWNDRAFT

SUMMIT



CEILING MOUNTED

JOIST



CEILING MOUNTED

EOS



BUILT-IN

EOS PLUS



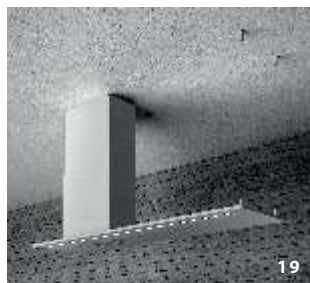
BUILT-IN

SPACE



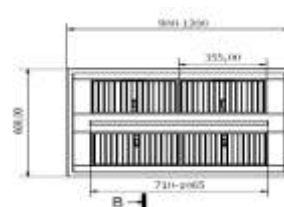
MODULAR SYSTEM

VELA



ISLAND

M2M



20

VARIOUS APPLICATIONS  
ON REQUEST

Model Options Overview

	PAGE	CATEGORY	MOTOR OPTIONS			
			INTERNAL	PLINTH	SLIMLINE	EXTERNAL
EVO 870 BLACK ED.	04	VENTED		•		
EVO 870 BLACK ED.	05	VENTED		•		
RAPTOR 870 BLACK ED.	06	VENTED	•			
RAPTOR 870 BLACK ED.	07	VENTED	•			
DOWNDRAFT 900	08	SURFACE			•	•
DOWNDRAFT 1200	09	SURFACE			•	•
DOWNDRAFT 900 BLACK ED.	10	SURFACE			•	•
DOWNDRAFT 1200 BLACK ED.	11	SURFACE			•	•
SUMMIT 900	12	CEILING			•	•
SUMMIT 1200	13	CEILING			•	•
JOIST 900	14	CEILING			•	
JOIST 1200	15	CEILING			•	
EOS 600	16	BUILT-IN	•			
EOS 900	16	BUILT-IN	•			
EOS 1200	16	BUILT-IN	•			
EOS PLUS 600	17	BUILT-IN	•			
EOS PLUS 800	17	BUILT-IN	•			
EOS PLUS 900	17	BUILT-IN	•			
EOS PLUS 1200	17	BUILT-IN	•			
SPACE 900	18	MODULAR	•			
SPACE 1200	18	MODULAR	•			
VELA 1800	19	ISLAND	•			



## EVO 870 - BLACK EDITION

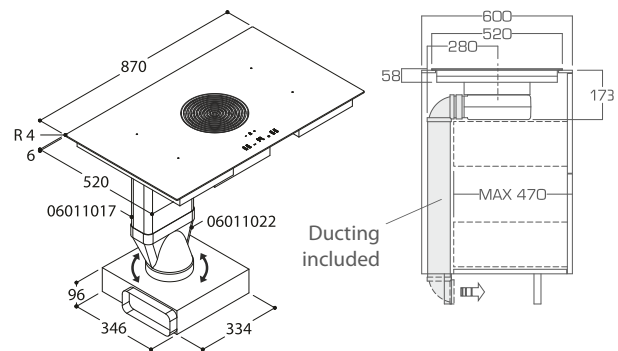
Vented Hob (Ducted)

- Colour: Black
- Size: 870 x 520mm
- Plinth Motor: (800m<sup>3</sup>) recommended duct size 220 x 90mm
- Ducting: Naber Compare 150 flat channel included
- Frame: Flush design
- Product Operation: Touch control
- Extraction: 9 speed control
- Induction Zones: 4 with flex option
- Safety: Lock function
- Grease Filter: Unique design for enhanced performance and low noise
- Venting: For ducted application only
- Energy rating: A+
- 2 Year Warranty

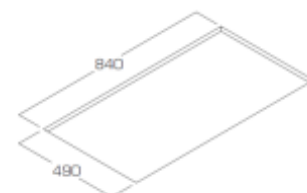
Item Number: 559573

- Black Glass BO-EVO-870-VHDB

### Product Dimensions



### Cut-out Dimensions



Performance – 800 m<sup>3</sup>/h

Motor speed	1	2	3	4
Noise level dB(A)re1pW - I.E.C.60704-2-13	53	55	59	63
Air flow (m <sup>3</sup> /h) I.E.C.61591	300	355	478	800
Connected load (W)	220			
Duct outlet Ø (mm)	220 x 90			



## EVO 870 - BLACK EDITION

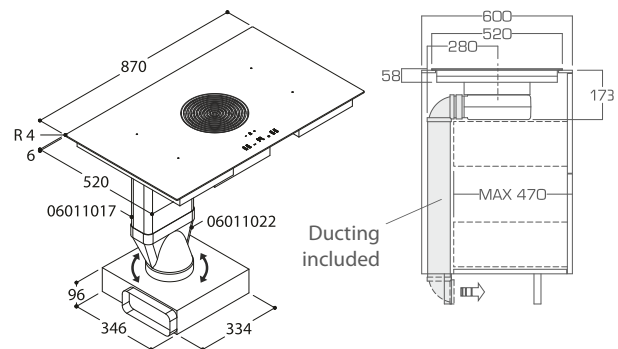
Vented Hob (Recirculating)

- Colour: Black
- Size: 870 x 520mm
- Plinth Motor: (800m<sup>3</sup>/3) recommended duct size 220 x 90mm
- Ducting: Naber Compare 150 flat channel included
- Frame: Flush design
- Product Operation: Touch Control
- Extraction: 9 speed control
- Induction Zones: 4 with flex option
- Hob: 9 cooking levels with booster
- Safety: Lock function
- Grease Filter: Unique design for enhanced performance and low noise
- Venting: Re-circulating version includes ceramic plinth filter
- Energy rating: A+
- 2 Year Warranty

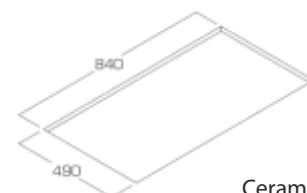
Item Number: 559574

- Black Glass BO-EVO-870-VHRB
- Includes ceramic plinth filter

### Product Dimensions



### Cut-out Dimensions



Performance – 800 m<sup>3</sup>/h

Motor speed	1	2	3	4
Noise level dB(A)re1pW - I.E.C.60704-2-13	53	55	59	63
Air flow (m <sup>3</sup> /h) I.E.C.61591	300	355	478	800
Connected load (W)				
Duct outlet Ø (mm)	220 x 90			

Ceramic Plinth Filter





## RAPTOR 870 - BLACK EDITION

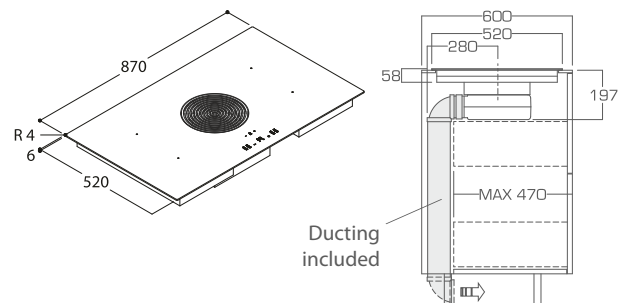
Vented Hob (Ducted)

- Colour: Black
- Size: 870 x 520mm
- Internal Motor: (800m<sup>3</sup>/3) recommended duct size 220 x 90mm
- Ducting: Naber Compare 150 flat channel included
- Frame: Flush design
- Product Operation: Touch control
- Extraction: 9 speed control
- Induction Zones: 4 with flex option
- Safety: Lock function
- Grease Filter: Unique design for enhanced performance and low noise
- Venting: For ducted application only
- Energy rating: A+
- 2 Year Warranty

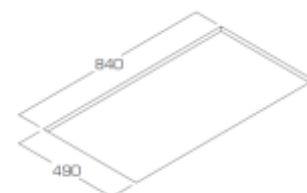
Item Number: 559573

- Black Glass BO-RAP-870-VHDB

### Product Dimensions



### Cut-out Dimensions



Performance – 800 m<sup>3</sup>/h

Motor speed	1	2	3	4
Noise level dB(A)re1pW - I.E.C.60704-2-13	53	55	59	63
Air flow (m <sup>3</sup> /h) I.E.C.61591	300	355	478	800
Connected load (W)	220			
Duct outlet Ø (mm)	220 x 90			



## RAPTOR 870 - BLACK EDITION

Vented Hob (Recirculating)

- Colour: Black
- Size: 870 x 520mm
- Internal Motor: (800m/3) recommended duct size 220 x 90mm
- Ducting: Naber Compare 150 flat channel included
- Frame: Flush design
- Product Operation: Touch Control
- Extraction: 9 speed control
- Induction Zones: 4 with flex option
- Hob: 9 cooking levels with booster
- Safety: Lock function
- Grease Filter: Unique design for enhanced performance and low noise
- Venting: Re-circulating version includes ceramic plinth filter
- Energy rating: A+
- 2 Year Warranty

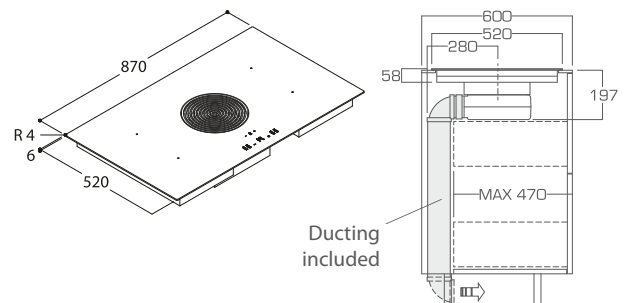
Performance – 800 m<sup>3</sup>/h

Motor speed	1	2	3	4
Noise level dB(A)re1pW - I.E.C.60704-2-13	53	55	59	63
Air flow (m <sup>3</sup> /h) I.E.C.61591	300	355	478	800
Connected load (W)				
Duct outlet Ø (mm)	220 x 90			

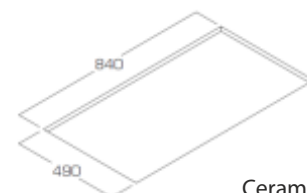
Item Number: 559574

- Black Glass BO-RAP-870-VHRB
- Includes ceramic plinth filter

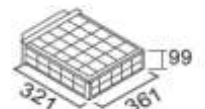
Product Dimensions



Cut-out Dimensions



Ceramic Plinth Filter





## IZAR 900 & 1200

### Downdraft Extractor (Ducted)

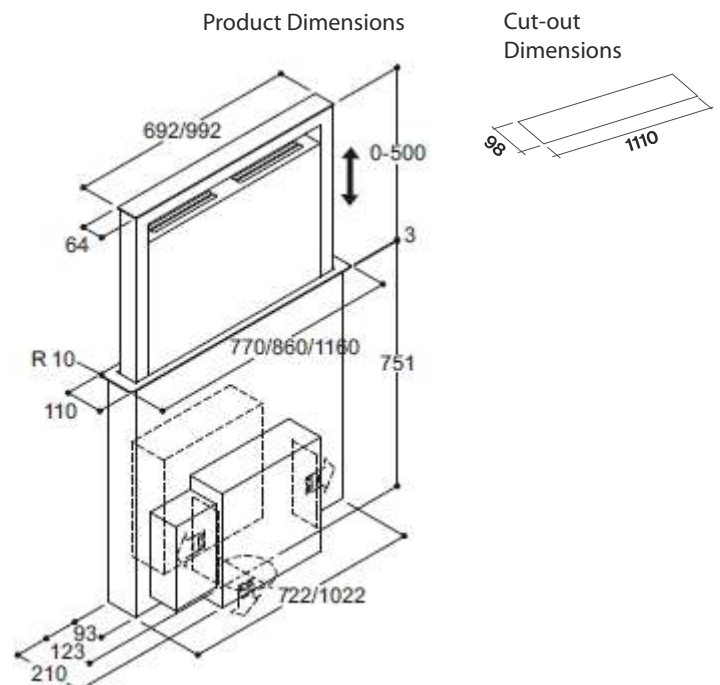
- Finish: Stainless Steel with Black fascia
- Size: 900 & 1200
- Slim Motor: (800m<sup>3</sup>/3) recommended duct size 220 x 90mm
- Frame: Flush design
- Task Lighting: Dynamic LED Bar
- Task Lighting: 4200K
- Product Operation: Touch control
- Safety: Auto crush sensor
- Compatibility: Suitable for both Induction and Gas hobs
- Venting: Ducted application
- Venting: Recirculated application (ceramic plinth filter)
- Energy rating: A
- Motors on request

### Performance – 800 m<sup>3</sup>/h

Motor speed	1	2	3	4
Noise level dB(A)re1pW - I.E.C.60704-2-13	53	55	59	63
Air flow (m <sup>3</sup> /h) I.E.C.61591	300	355	478	800
Connected load (W)	230			
Duct outlet Ø (mm)	220 x 90 or 150mm			

### Product Codes

- Stainless Steel / Black Facia BO-IZA-900-SBDD
- Stainless Steel / Black Facia BO-IZA-120-SBDD



Downdraft with Slim Motor which can be rotated 90° to the left, right or downwards to position the duct outlet.





## IZAR 900 & 1200

Downdraft Extractor (Recirculating)

- Finish: Stainless Steel with Black fascia
- Size: 900 & 1200
- Slim Motor: (800m<sup>3</sup>/3) recommended duct size 220 x 90mm
- Frame: Flush design
- Task Lighting: Dynamic LED Bar
- Task Lighting: 4200K
- Product Operation: Touch control
- Safety: Auto crush sensor
- Compatibility: Suitable for both Induction and Gas hobs
- Venting: Ducted application
- Venting: Recirculated application (ceramic plinth filter)
- Energy rating: A
- Motors on request

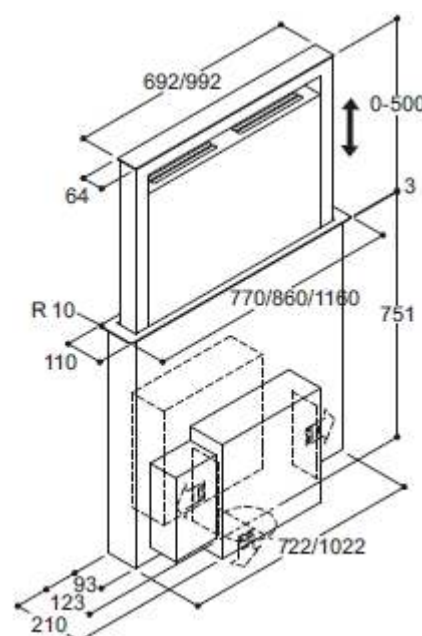
Performance – 800 m<sup>3</sup>/h

Motor speed	1	2	3	4
Noise level dB(A)re1pW - I.E.C.60704-2-13	53	55	59	63
Air flow (m <sup>3</sup> /h) I.E.C.61591	300	355	478	800
Connected load (W)	230			
Duct outlet Ø (mm)	220 x 90 or 150mm			

Product Codes

- Stainless Steel / Black Facia BO-IZA-900-SBDR  
Includes ceramic plinth filter
- Stainless Steel / Black Facia BO-IZA-120-SBDR  
Includes ceramic plinth filter

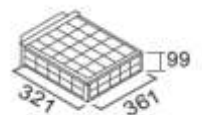
Product Dimensions



Cut-out  
Dimensions



Ceramic  
Plinth Filter



Downdraft with Slim Motor  
which can be rotated 90°  
to the left, right or downwards  
to position the duct outlet.



## IZAR 900 & 1200 BLACK EDITION

Downdraft Extractor (Ducted)

- Finish: All Black with glass fascia
- Size: 900 & 1200
- Slim Motor: (800m<sup>3</sup>/h) recommended duct size 220 x 90mm
- Frame: Flush design
- Task Lighting: Dynamic LED Bar
- Task Lighting: 4200K
- Product Operation: Touch control
- Safety: Auto crush sensor
- Compatibility: Suitable for both Induction and Gas hobs
- Venting: Ducted application
- Venting: Recirculated application (ceramic plinth filter)
- Energy rating: A
- Motors on request

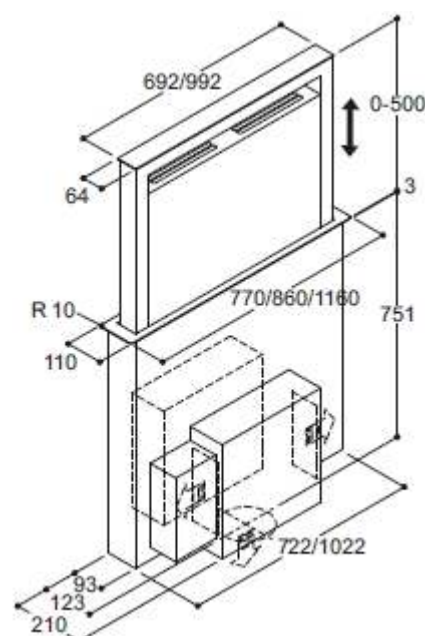
Product Codes

- All Black BO-IZA-900-BBDD
- All Black BO-IZA-120-BBDD

Performance – 800 m<sup>3</sup>/h

Motor speed	1	2	3	4
Noise level dB(A)re1pW - I.E.C.60704-2-13	53	55	59	63
Air flow (m <sup>3</sup> /h) I.E.C.61591	300	355	478	800
Connected load (W)	230			
Duct outlet Ø (mm)	220 x 90 or 150mm			

Product Dimensions



Cut-out  
Dimensions



Downdraft with Slim Motor which can be rotated 90° to the left, right or downwards to position the duct outlet.



## IZAR 900 & 1200

Downdraft Extractor (Recirculating)

- Finish: All Black with glass fascia
- Size: 900 & 1200
- Slim Motor: (800m<sup>3</sup>/h) recommended duct size 220 x 90mm
- Frame: Flush design
- Task Lighting: Dynamic LED Bar
- Task Lighting: 4200K
- Product Operation: Touch control
- Safety: Auto crush sensor
- Compatibility: Suitable for both Induction and Gas hobs
- Venting: Ducted application
- Venting: Recirculated application (ceramic plinth filter)
- Energy rating: A
- Motors on request

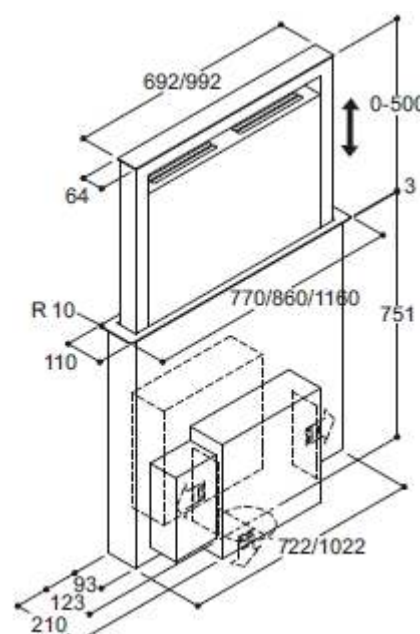
Performance – 800 m<sup>3</sup>/h

Motor speed	1	2	3	4
Noise level dB(A)re1pW - I.E.C.60704-2-13	53	55	59	63
Air flow (m <sup>3</sup> /h) I.E.C.61591	300	355	478	800
Connected load (W)	230			
Duct outlet Ø (mm)	220 x 90 or 150mm			

Product Codes

- All Black BO-IZA-900-BBDR  
Includes ceramic plinth filter
- All Black BO-IZA-120- BBDR  
Includes ceramic plinth filter

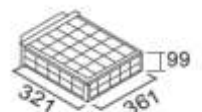
Product Dimensions



Cut-out  
Dimensions



Ceramic  
Plinth Filter



Downdraft with Slim Motor  
which can be rotated 90°  
to the left, right or downwards  
to position the duct outlet.



## SUMMIT 900

Ceiling Mounted

- Colour Option: Stainless Steel / Satin White / Satin Black
- Size: 900 x 600mm
- Slim Motor: (800m<sup>3</sup>/h) recommended duct size 220 x 90mm
- External Motor: (1000m<sup>3</sup>/h)
- Fascia: Insulated design
- Task Lighting: One Dynamic LED Bar
- Task Lighting: Adjustable cool to warm (2500K to 6500K)
- Task Lighting: Dimmable
- Product Operation: Remote control
- Venting: For ducted application only
- Energy rating: A

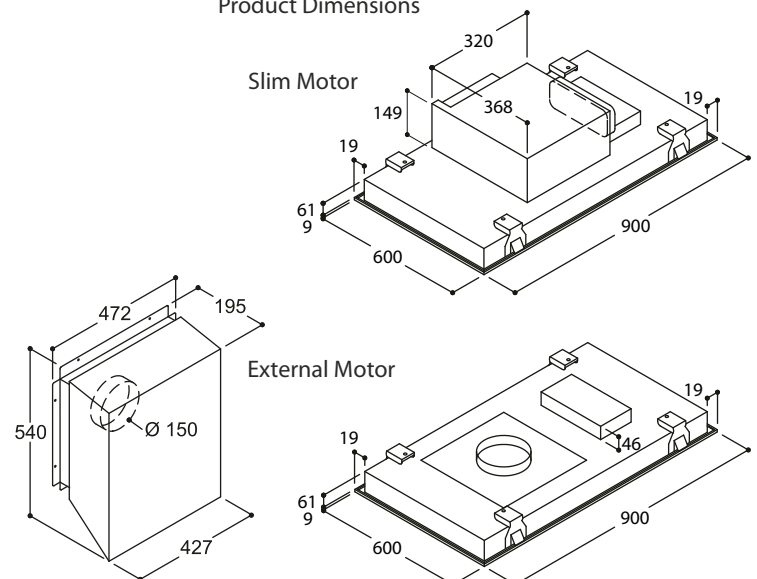
Product Codes 900

- Stainless Steel inc Slim Motor BO-SUM-9LCS-SL
- Satin White inc Slim Motor BO-SUM-9NLW-SL
- Satin Black inc Slim Motor BO-SUM-9LCB-SL

Product Codes 900

- Stainless Steel inc External Motor BO-SUM-9LCS-EM
- Satin White inc External Motor BO-SUM-9NLW-EM
- Satin Black inc External Motor BO-SUM-9LCB-EM

Product Dimensions



Performance – 800 m<sup>3</sup>/h

Motor speed	1	2	3	4
Noise level dB(A)re1pW - I.E.C.60704-2-13			62	
Air flow (m <sup>3</sup> /h) I.E.C.61591	270	345	450	665
Connected load (W)			237	
Duct outlet Ø (mm)		150		

Recommended Distance from Worktop

- Electric Hob: 1200 to 1500mm
- Gas Hob: 1200 to 1500mm



## SUMMIT 1200

Ceiling Mounted

- Colour Option: Stainless Steel / Satin White / Satin Black
- Size: 1200 x 600mm
- Slim Motor: (800m<sup>3</sup>/h) recommended duct size 220 x 90mm
- External Motor: (1000m<sup>3</sup>/h)
- Fascia: Insulated design
- Task Lighting: One Dynamic LED Bar
- Task Lighting: Adjustable cool to warm (2500K to 6500K)
- Task Lighting: Dimmable
- Product Operation: Remote control
- Venting: For ducted application only
- Energy rating: A

Performance – 800 m<sup>3</sup>/h

Motor speed	1	2	3	4
Noise level dB(A)re1pW - I.E.C.60704-2-13			62	
Air flow (m <sup>3</sup> /h) I.E.C.61591	270	345	450	665
Connected load (W)			237	
Duct outlet Ø (mm)		150		

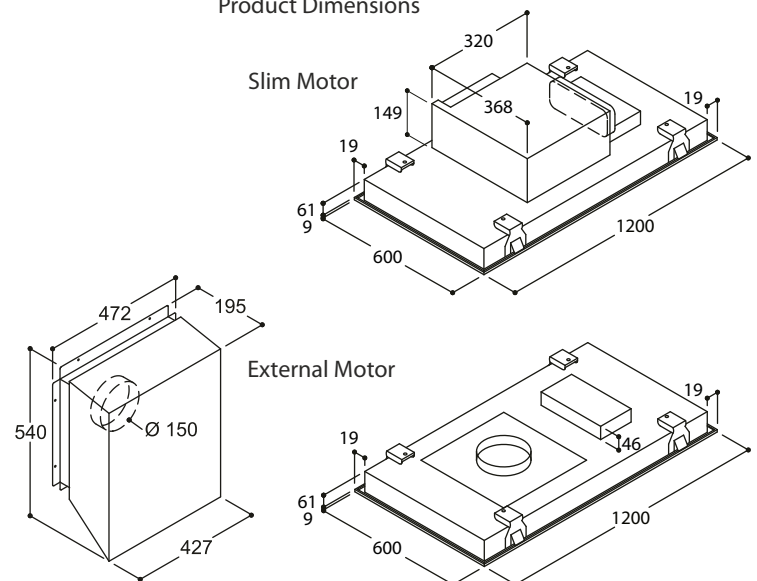
Product Codes 1200

- Stainless Steel inc Slim Motor BO-SUM-1LCS-SL
- Satin White inc Slim Motor BO-SUM-1LCW-SL
- Satin Black inc Slim Motor BO-SUM-1LCB-SL

Product Codes 1200

- Stainless Steel inc External Motor BO-SUM-1LCB-SL
- Satin White inc External Motor BO-SUM-1LCW-EM
- Satin Black inc External Motor BO-SUM-1LCB-EM

Product Dimensions



Recommended Distance from Worktop

- Electric Hob: 1200 to 1500mm
- Gas Hob: 1200 to 1500mm



## JOIST 1200

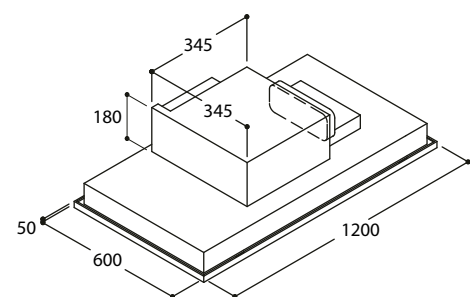
### Ceiling Mounted

- Colour Option: Stainless Steel / Satin White / Satin Black
- Size: 1200 x 600mm
- Slim Motor: (800m<sup>3</sup>/h) recommended duct size 220 x 90mm
- Slim Motor: Designed to be installed between UK ceiling joists
- Fascia: Insulated design
- Task Lighting: One Dynamic LED Bar
- Task Lighting: Adjustable cool to warm (2500K to 6500K)
- Task Lighting: Dimmable
- Product Operation: Remote control
- Venting: For ducted application only
- Energy rating: A

### Product Codes 1200

- Stainless Steel inc Slim Motor BO-JOI-120-CMSS
- Satin White inc Slim Motor BO-JOI-120-CMWH
- Satin Black inc Slim Motor BO-JOI-120-CMBL

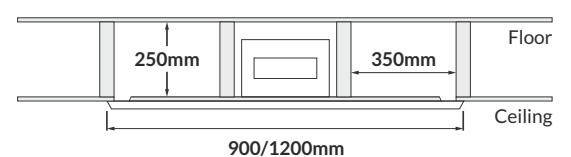
### Product Dimensions



### Performance – 800 m<sup>3</sup>/h

Motor speed	1	2	3	4
Noise level dB(A)re1pW - I.E.C.60704-2-13			62	
Air flow (m <sup>3</sup> /h) I.E.C.61591	270	345	450	665
Connected load (W)			237	
Duct outlet Ø (mm)		150		

### Installed across the joist



### Recommended Distance from Worktop

- Electric Hob: 1200 to 1500mm
- Gas Hob: 1200 to 1500mm



## JOIST 900

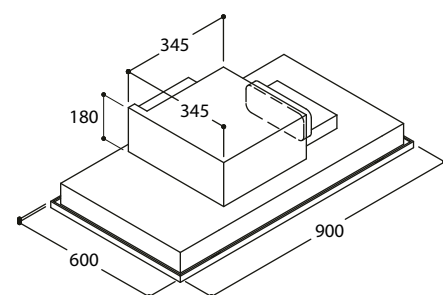
Ceiling Mounted

- Colour Option: Stainless Steel / Satin White / Satin Black
- Size: 900 x 600mm
- Slim Motor: (800m<sup>3</sup>/h) recommended duct size 220 x 90mm
- Slim Motor: Designed to be installed between UK ceiling joists
- Fascia: Insulated design
- Task Lighting: One Dynamic LED Bar
- Task Lighting: Adjustable cool to warm (2500K to 6500K)
- Task Lighting: Dimmable
- Product Operation: Remote control
- Venting: For ducted application only
- Energy rating: A

Product Codes 900

- Stainless Steel inc Slim Motor BO-JOI-90-CMSS
- Satin White inc Slim Motor BO-JOI-90-CMWH
- Satin Black inc Slim Motor BO-JOI-90-CMBL

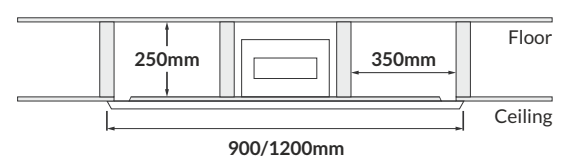
Product Dimensions



Performance – 800 m<sup>3</sup>/h

Motor speed	1	2	3	4
Noise level dB(A)re1pW - I.E.C.60704-2-13			62	
Air flow (m <sup>3</sup> /h) I.E.C.61591	270	345	450	665
Connected load (W)			237	
Duct outlet Ø (mm)			150	

Installed across the joist



Recommended Distance from Worktop

- Electric Hob: 1200 to 1500mm
- Gas Hob: 1200 to 1500mm



## EOS

### Built-In Extractor

- Finish: Stainless Steel
- Size: 600mm
- Size: 900mm
- Size: 1200mm
- Size / Depth: to suit cabinet depth from 300mm to 350mm
- Internal Motor: (800m/3) recommended duct size 150<sup>o</sup>mm
- Motor speed: Four levels with Blue light indicator
- Frame: Flush design
- Filters: Two Stainless Steel
- Task Lighting: Two LED lights
- Task Lighting: 4200K
- Product Operation: Remote control
- Venting: For ducted or re-circulation application
- Energy rating: A
- 2 Year Warranty

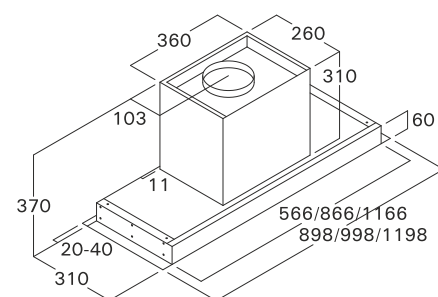
### Performance – 800 m<sup>3</sup>/h

Motor speed	1	2	3	4
Noise level dB(A)re1pW - I.E.C.60704-2-13	44	50	59	63
Air flow (m <sup>3</sup> /h) I.E.C.61591	260	435	565	800
Connected load (W)	275			
Duct outlet Ø (mm)	150			

### Product Codes 600 / 900 / 1200

- Stainless Steel 600 BO-EOS-600-BISS
- Stainless Steel 900 BO-EOS-900-BISS
- Stainless Steel 1200 BO-EOS-120-BISS

### Product Dimensions



### Recommended Distance from Worktop

- Electric Hob: 520mm
- Gas Hob: 620mm

NB: Gas subject to hob manufacture and or Gas Safe regulations





## EOS PLUS

### Built-In Extractor

- Finish: Stainless Steel
- Size: 600mm
- Size: 900mm
- Size: 1200mm
- Internal Motor: (800m<sup>3</sup>/3) recommended duct size 150°mm
- Frame: Flush design
- Filter: Two Stainless Steel
- Task Lighting: One Dynamic LED Bar
- Task Lighting: Adjustable cool to warm (2500K to 6500K)
- Task Lighting: Dimmable
- Product Operation: Remote control
- Venting: For ducted application only
- Energy rating: A

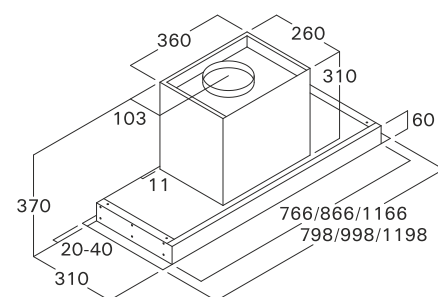
### Performance – 800 m<sup>3</sup>/h

Motor speed	1	2	3	4
Noise level dB(A)re1pW - I.E.C.60704-2-13			62	
Air flow (m <sup>3</sup> /h) I.E.C.61591	270	345	450	665
Connected load (W)			237	
Duct outlet Ø (mm)		150		

### Product Codes 800 / 900 / 1200

- Stainless Steel 800 BO-EOP-800-BISS
- Stainless Steel 900 BO-EOP-900-BISS
- Stainless Steel 1200 BO-EOP-120-BISS

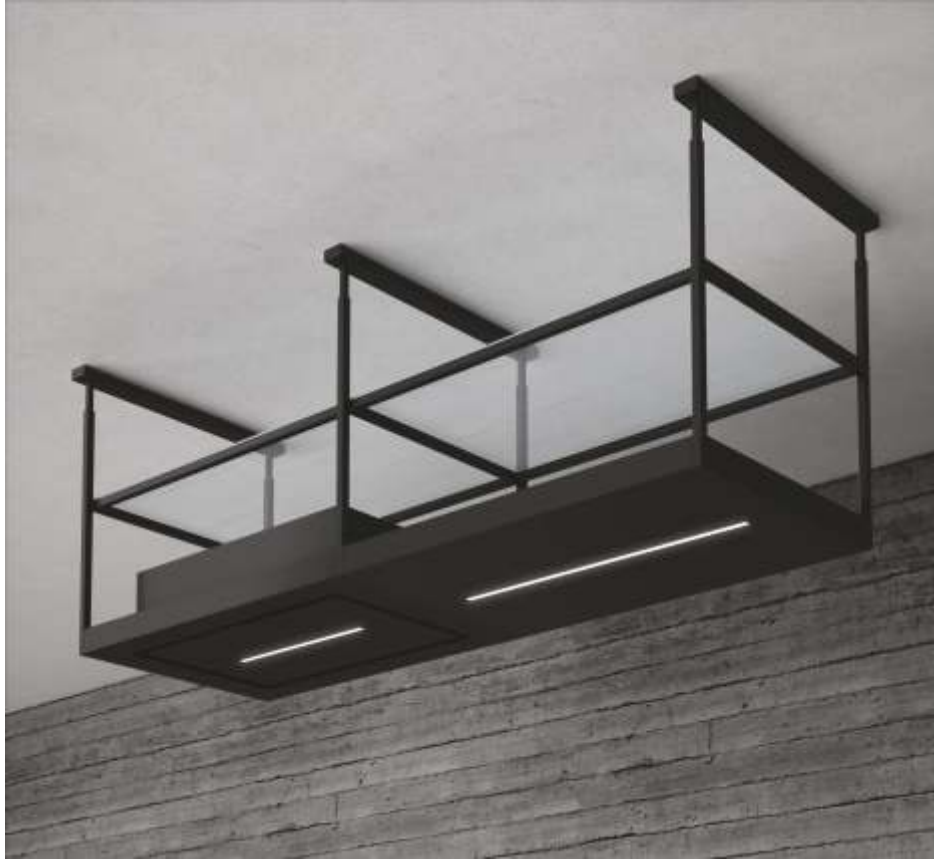
### Product Dimensions



### Recommended Distance from Worktop

- Electric Hob: 520mm
- Gas Hob: 620mm

NB: Gas subject to hob manufacture and or Gas Safe regulations



## SPACE

### Modular Island System

- Colour: Satin Black
- Size: Motor 900 x 600mm
- Size: Motor 1200 x 600mm
- Size: Canopy 600 x 600mm
- Size: Canopy 900 x 600mm
- Size: Canopy 1200 x 600mm
- Slim Motor: (800m<sup>3</sup>/h) Recirculating
- Task Lighting: One Dynamic LED Bar per module
- Task Lighting: Adjustable cool to warm (2500K to 6500K)
- Task Lighting: Dimmable
- Shelving: Smoked glass
- Frame: Telescopic
- Product Operation: Remote control
- Venting: Recirculation includes ceramic filter
- Energy rating: A

### Performance – 800 m<sup>3</sup>/h

Motor speed	1	2	3	4
Noise level dB(A)re1pW - I.E.C.60704-2-13	44	50	59	63
Air flow (m <sup>3</sup> /h) I.E.C.61591	260	435	565	800
Connected load (W)	275			
Duct outlet Ø (mm)	N/A			

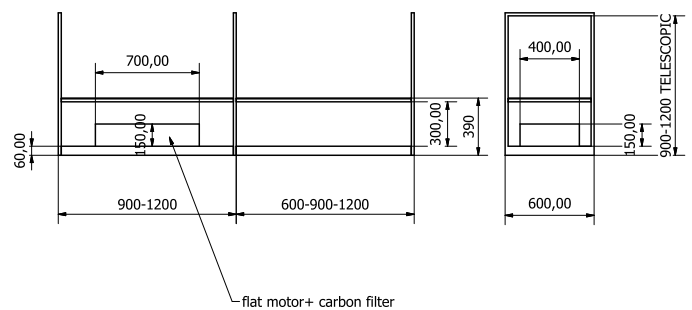
### Product Codes - Motor System

- Satin Black 900 BO-SPA-900-ISMB
- Satin Black 1200 BO-SPA-1200-ISMB

### Product Codes - Canopy System

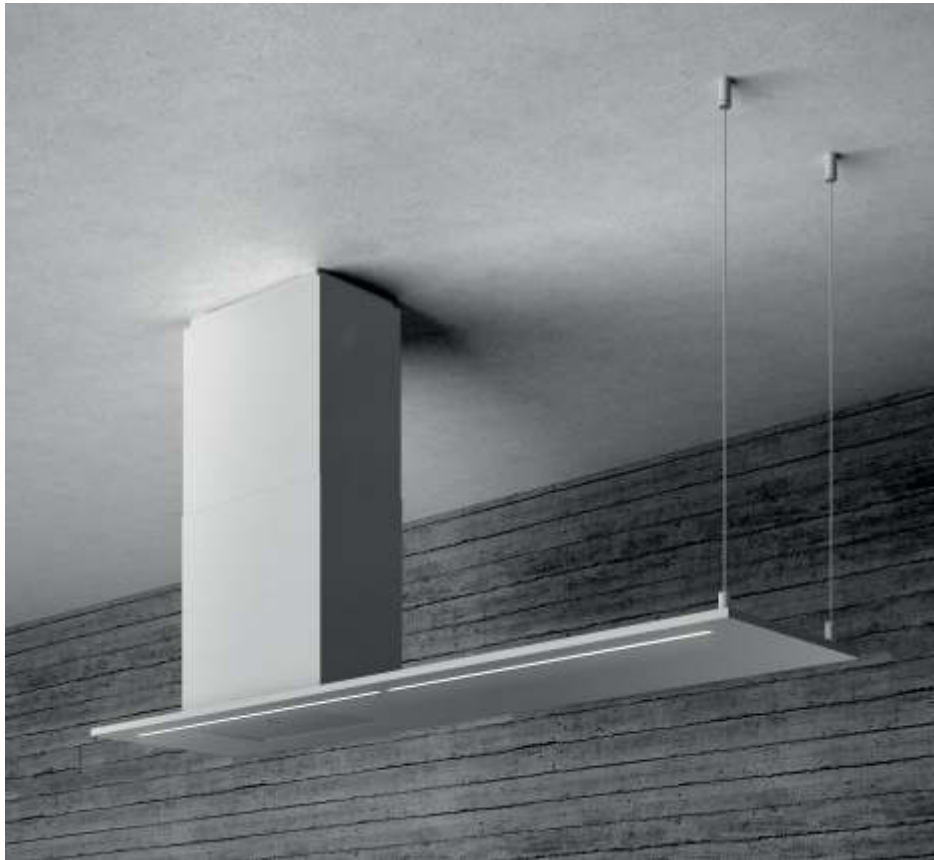
- Satin Black 600 BO-SPA-600-ISCB
- Satin Black 900 BO-SPA-900-ISCB
- Satin Black 1200 BO-SPA-1200-ISCB

### Product Dimensions



### Recommended Distance from Worktop

- Electric Hob: 750 to 800mm
- Gas Hob: 750 to 800mm



## VELA

### Island System

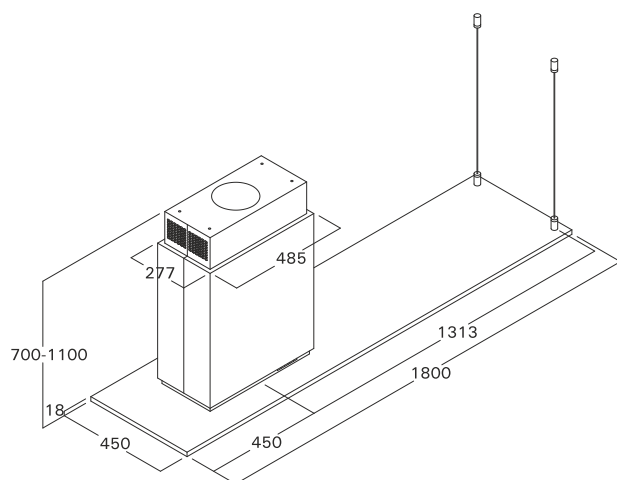
- Colour: Satin Black / Stainless Steel
- Size: Canopy 1800 x 500mm
- Task Lighting: Two Dynamic LED Bars
- Task Lighting: Adjustable cool to warm (2500K to 6500K)
- Task Lighting: Dimmable
- Frame: Telescopic Chimney / Wire Supports
- Product Operation: Remote control
- Venting: Ducted Application
- Energy rating: A

NB : Option for Left or Right Hand Chimney

### Product Codes - Island

- Satin Black 1800 BO-VEL-180-ISLB
- Stainless Steel 1800 BO-VEL-180-ISLS
- Stainless Steel 1800 BO-VEL-180-ISRS
- Satin Black 1800 BO-VEL-180-ISRB

### Product Dimensions



### Recommended Distance from Worktop

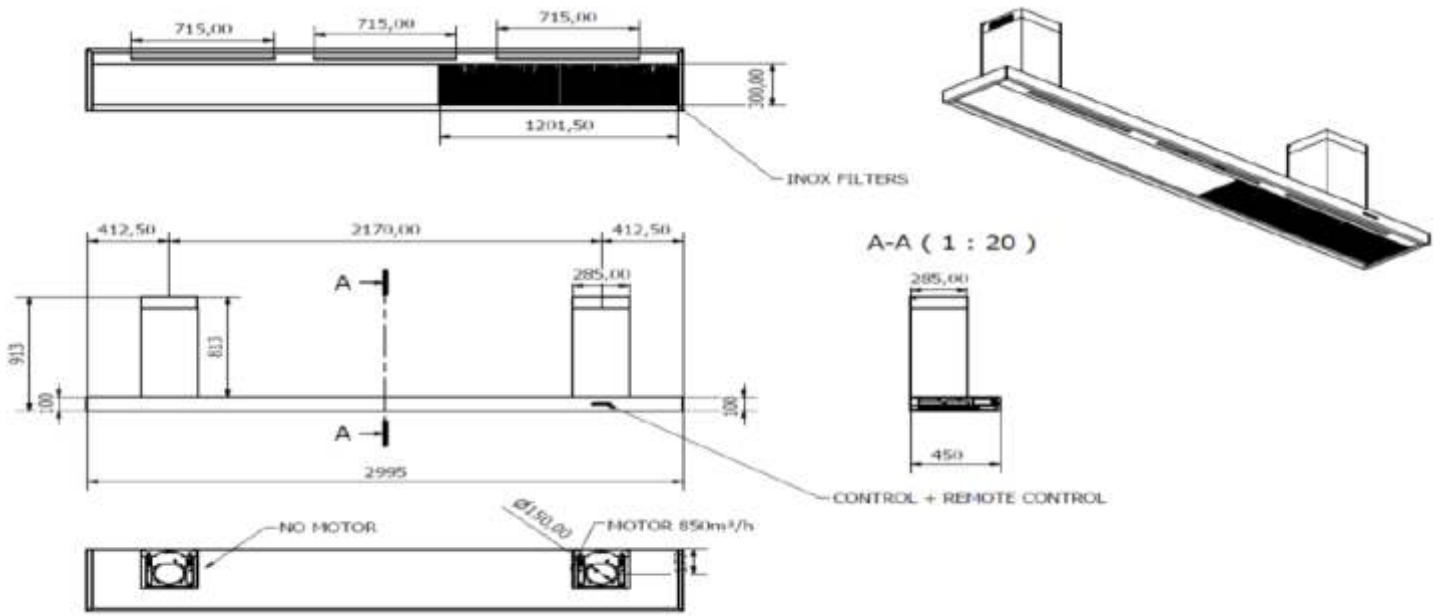
- Electric Hob: 750 to 800mm
- Gas Hob: 750 to 800mm

### Performance – 800 m<sup>3</sup>/h

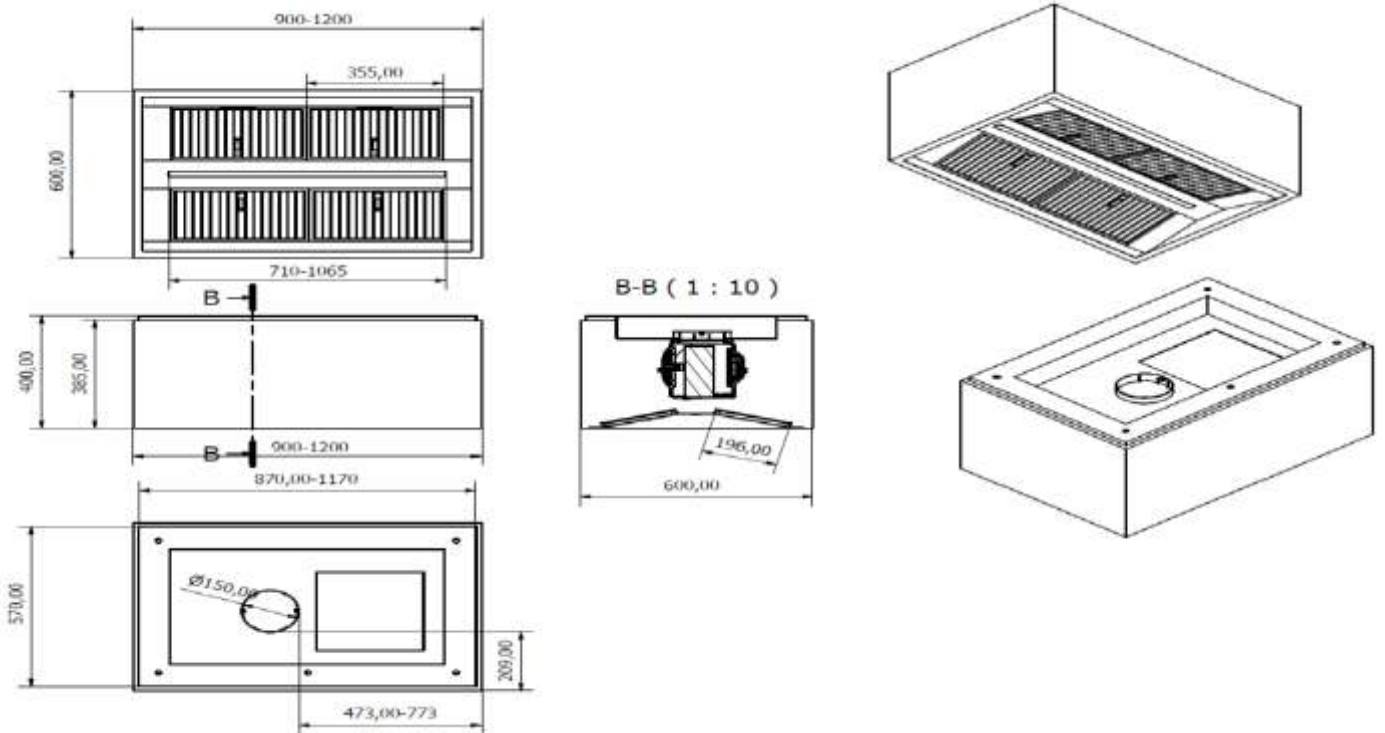
Motor speed	1	2	3	4
Noise level dB(A)re1pW - I.E.C.60704-2-13	44	50	59	63
Air flow (m <sup>3</sup> /h) I.E.C.61591	260	435	565	800
Connected load (W)	275			
Duct outlet Ø (mm)	150°			

M2M  
MADE TO MEASURE EXAMPLES

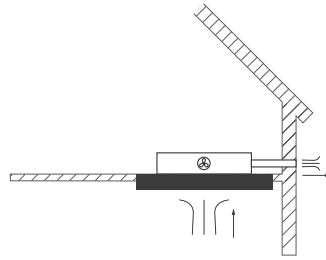
TWIN CHIMNEY WALL MOUNTED SYSTEM



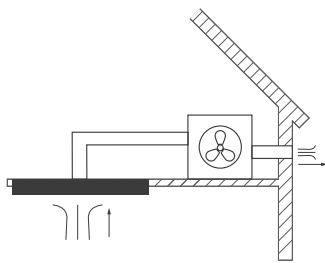
PROFESSIONAL CEILING SYSTEM



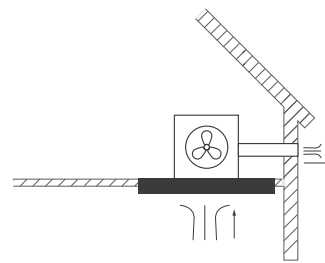
MOTOR INSTALLATION EXAMPLES



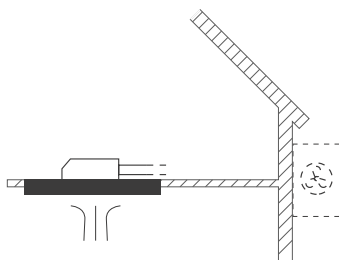
- SEM Slim Motor installed on top of extractor
- Slimline Motor 800m<sup>3</sup>/h
- (10m Control Cable included)



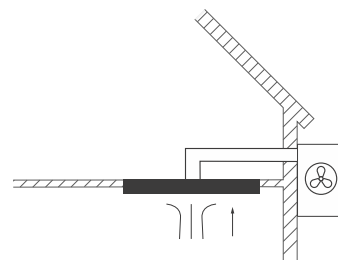
- SEM1 Inline Motor installed along the duct run
- Inline Motor 1000m<sup>3</sup>/h
- SEM8 Inline Motor 1500m<sup>3</sup>/h
- (10m Control Cable included)



- SEM1 Inline Motor installed on top of extractor
- Inline Motor 1000m<sup>3</sup>/h
- SEM8 Inline Motor 1500m<sup>3</sup>/h
- (10m Control Cable included)



- SEM2 Slim Motor with rectangular duct
- External Motor 1000m<sup>3</sup>/h
- (10m Control Cable included)



- SEM2 External Motor with round duct
- External Motor 1000m<sup>3</sup>/h
- SEM7 External Motor 1500m<sup>3</sup>/h
- (10m Control Cable included)

COMPAIR® FLOW 150 RECTANGULAR



**NABER RIGID RECTANGULAR DUCTING**  
• Size: L 1000mm x H 89mm x W 222mm

Product Code  
• NAB-HFVRO



**NABER RECTANGULAR JOINER**  
• Size: H 89mm x W 222mm

Product Code  
• NAB-HFRVB



**NABER RECTANGULAR  
90° VERTICAL ELBOW**  
• Size: H 89mm x W 222mm

Product Code  
• NAB-HFRBV90



**NABER RECTANGULAR  
90° HORIZONTAL ELBOW**  
• Size: H 89mm x W 222mm

Product Code  
• NAB-HFRBH90



**NABER RECTANGULAR  
TO CIRCULAR 90° ELBOW**  
• Size: H 89mm x W 222mm x  $\phi$  150mm

Product Code  
• NAB-HFUR



**NABER RECTANGULAR  
TO CIRCULAR ADAPTOR**  
• Size: H 89mm x W 222mm x  $\phi$  150mm

Product Code  
• NAB-HFEST



**NABER RECTANGULAR BRACKET**  
• Size: H 89mm x W 222mm

Product Code  
• NAB-RECTBRACKET



**NABER STAINLESS STEEL WALL VENT**  
• Size: Connection H 89 x 222mm

Product Code  
• NAB-EJALFLOW150

COMPAIR® FLOW 150 ROUND



CIRCULAR ALUMINIUM DUCTING  
• Size: Extendable to 3m ø 150mm

Product Code  
• NAB-CIRCALFLEXI-150



RIGID CIRCULAR JUNCTION  
• Size: For Flexi ducting ø 150mm

Product Code  
• NAB-HRVBS150



JUBILEE CLIP  
• Size: Adjustable from 150mm to 200mm ø 150mm

Product Code  
• NAB-JUBILEECLIP-150



RIGID CIRCULAR DUCTING  
• Size: ø 150mm

Product Code  
• NAB-HR150



RIGID CIRCULAR JUNCTION  
• Size: ø 150mm

Product Code  
• NAB-HRVBS150



90° CIRCULAR ELBOW  
• Size: ø 150mm

Product Code  
• NAB-HRRBV



NON-RETURN VALVE  
• Size: ø 150mm

Product Code  
• NAB-DAOSL-150



STAINLESS STEEL WALL VENT  
• Size: ø 150mm

Product Code  
• NAB-SS152



NABER STAINLESS STEEL WALL VENT  
• Size: ø 150mm

Product Code  
• NAB-CIRCVENT



NABER THERMOBOX  
• Size: ø 150mm

Product Code  
• NAB-THERMOBOX-150

# euroline

exclusive appliance importer

**Euroline is the exclusive UK importer of Bozen**

8 De Grey Square, De Grey Road, Colchester, Essex, CO4 5YQ

W: [www.euroline.co.uk](http://www.euroline.co.uk) | E: [hello@euroline.co.uk](mailto:hello@euroline.co.uk) | T: 01206 849 900 | F: 01206 615 422